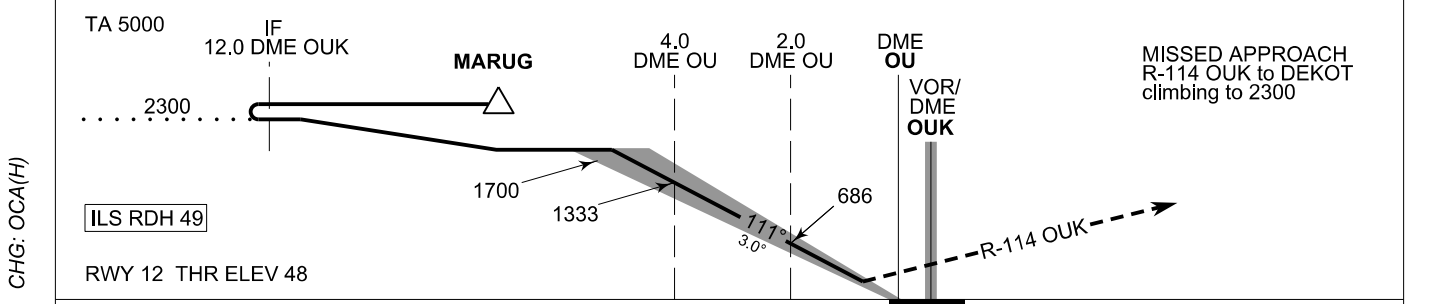
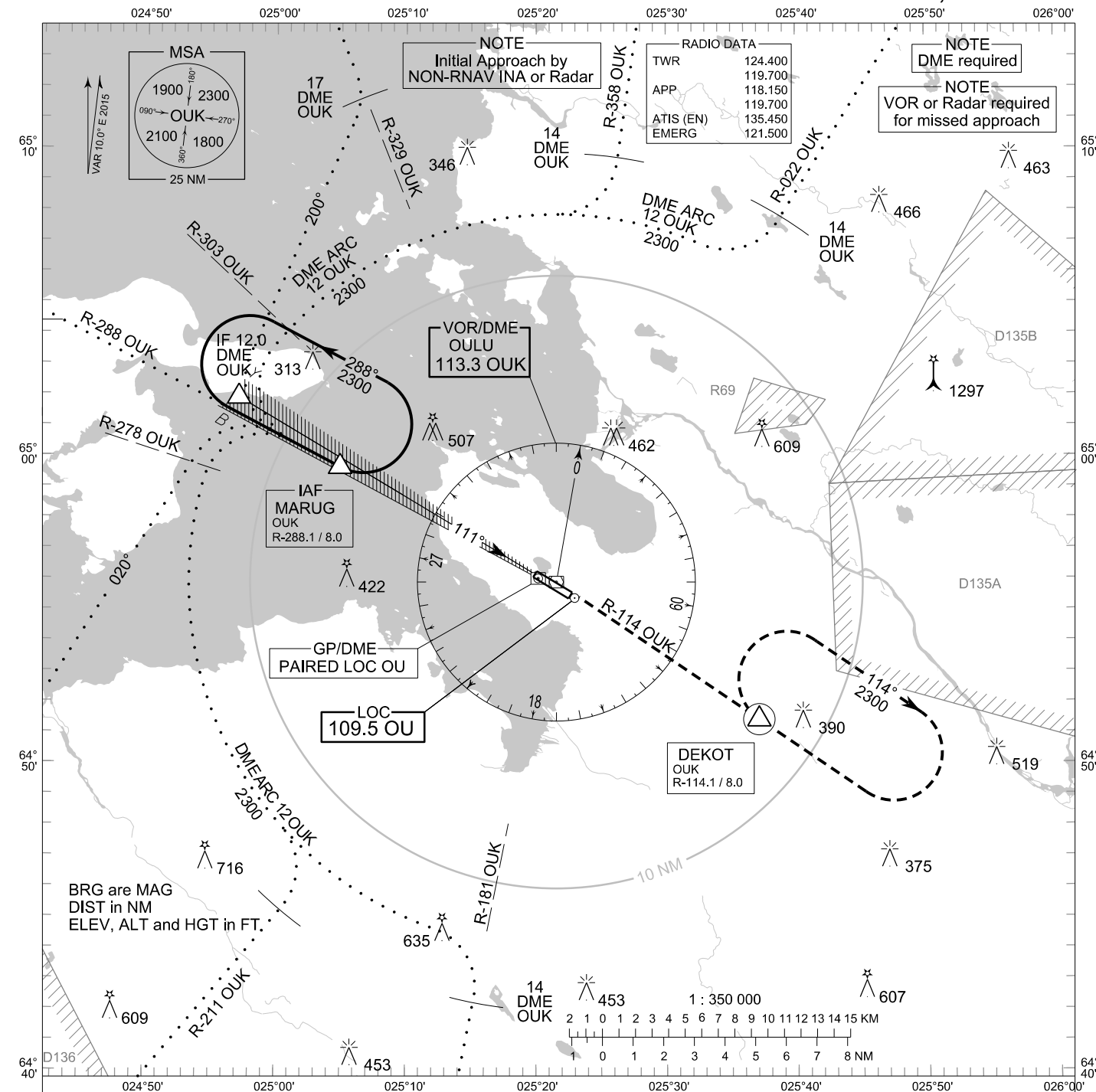


**INSTRUMENT  
APPROACH CHART - ICAO**

ELEV 48 FT  
HEIGHTS RELATED TO  
THR RWY 12 ELEV 48 FT

**ILS Y RWY 12 CAT II  
OULU AERODROME  
OULU, FINLAND**



OCA (H)	A	B	C	D
ILS CAT II	97 (50)	108 (61)	123 (76)	141 (94)