

# AIP SUPPLEMENT - SUOMI / FINLAND

Aeronautical Information Service

www.ais.fi

ANS Finland, PL 157, FI-01531 VANTAA, ais@ansfinland.fi

AIP SUP NR

**31 / 2018**

**AIRAC**

**WEF**

**26 APR 2018**

**TAMPERE-PIRKKALAN LENTOASEMA, LENTOPAIKAN ESTEKARTTA EFTP AOC 06/24C AJALLA 26.4. - 21.6.2018**

Julkaisupäivä 15.3.2018

REF AIP SUP 30/2018

Tämän Supplementin liitteenä on julkaistu lentopaikan estekartta EFTP AOC 06/24C ajalle **26.4. - 21.6.2018**

**TAMPERE PIRKKALA AERODROME, AERODROME OBSTACLE CHART EFTP AOC 06/24C FROM 26 APR TO 21 JUN 2018**

Publication date 15 MAR 2018

REF AIP SUP 30/2018

Aerodrome obstacle chart EFTP AOC 06/24C has been published **for the period of 26 APR - 21 JUN 2018** as an Appendix to this Supplement.

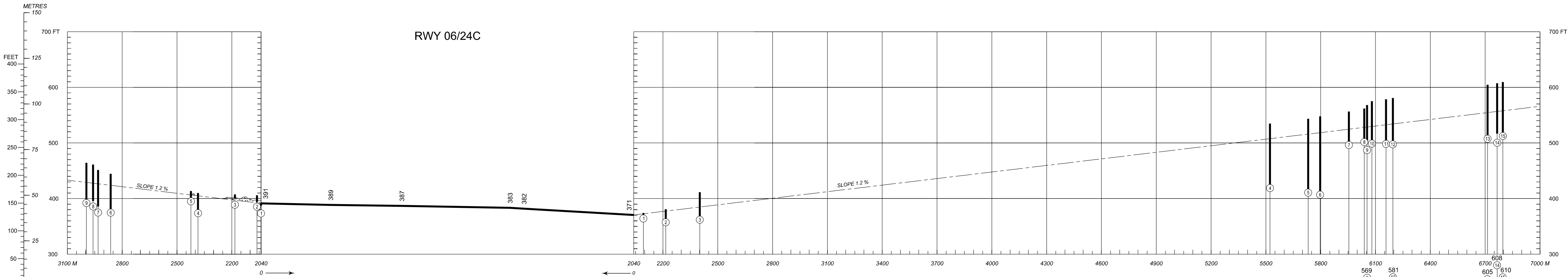
**LIITE / APPENDIX:** EFTP AOC 06/24C

ELEV in FT  
DMN in M

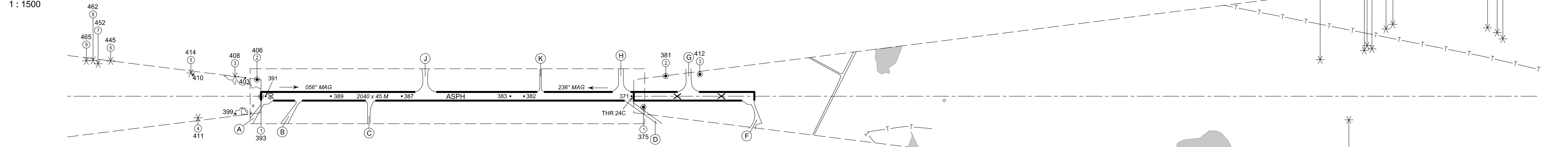
AERODROME OBSTACLE CHART - ICAO  
TYPE A (OPERATING LIMITATIONS)

TAMPERE-PIRKKALA AERODROME, FINLAND

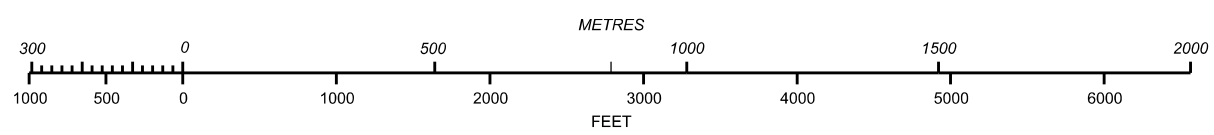
MAG VAR 8.2° E 2015



VERTICAL SCALE 1:1500



HORIZONTAL SCALE 1:15000



**LEGEND FOR AERONAUTICAL INFORMATION**

IDENTIFICATION NUMBER	①
TREE OR SHRUB	✕
POLE, TOWER, SPIRE, ANTENNA ETC	●
BUILDING OR LARGE STRUCTURE	■
RAILROAD	—+—+—
TRANSMISSION LINE OR OVERHEAD CABLE	—T—T—
TERRAIN PENETRATING OBSTACLE PLANE	▲
SPOT ELEVATION OF THE GROUND	• 100
REDUCED DECLARED DISTANCES CALCULATION POINT	•

ORDER OF ACCURACY  
HORIZONTAL 5 M  
VERTICAL 1 FT